



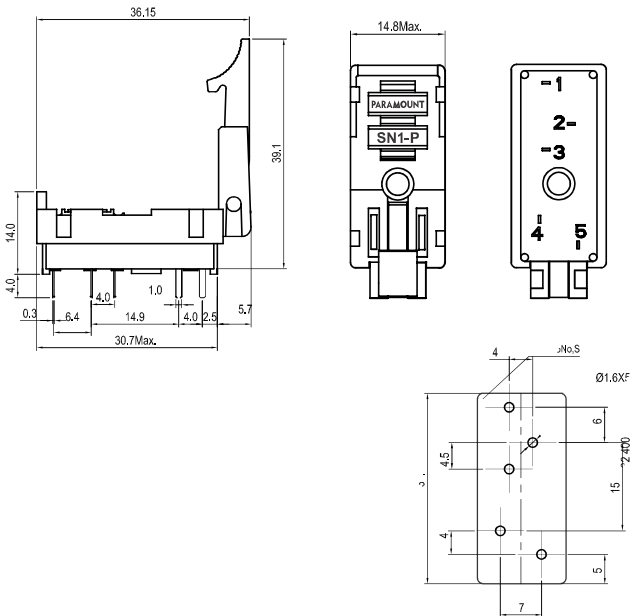
# SN1-P

Only  
**14 mm**  
WIDE

## Printed Circuit Board Socket for P1 Relays

### Dimensions

in mm.



### Specifications

Nominal load	10A / 250 V
Dielectric strength 1 min.	
Coil terminals to contacts	5 KV
Hard brass tin-plated terminals	0.3 x 1mm
Integrated Relay Hold Down Clip	
Weight Approx.	6 gms.