



# P12-N Relay

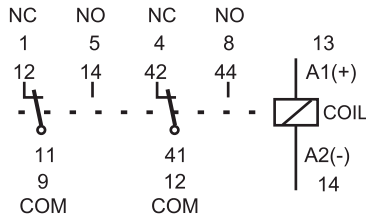


## 2 Pole, Change-Over Contacts

**12 A 250V AC1 50Hz**

**12 A 30V DC1**

### Pin configuration for P12-N



### Contacts

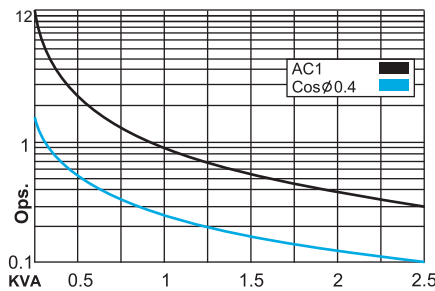
Materials: Standard	AgNi
Max. switching current	12 A
Max. Peak inrush current (20 ms.)	30 A
Max. Switching voltage	250 V
Max. AC load (Table 1)	2.5 KVA
Max. DC load (Table 1)	Graph 2

### Coils (Ohms $\pm$ 10% @ 20°C)

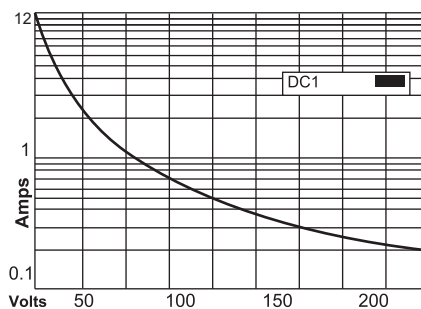
Pull-in voltage	$\leq 0.8 \times \text{Un}$
Drop-out voltage	$\geq 0.1 \times \text{Un}$
Nominal Coil Power	1.2 VA (AC) / 1.W (DC)

VAC	$\Omega$	VDC	$\Omega$
6	12	6	40
12	50	12	160
24	190	24	640
48	785	48	2600
110	3880	110	13600
230	17400	220	54000

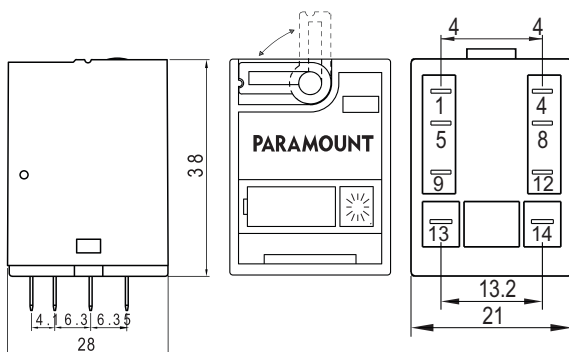
**Graph 1** Electrical life, ops x 10<sup>6</sup>



**Graph 2** Max. DC load



### Dimensions in mm.



### Insulation

Dielectric strength (1 minute) : Open contacts	2.5 KV
Between adjacent poles	2.5KV
Between Contacts & Coil	>3GΩ
Insolation resistance at 500V	2.5KV / 3
Isolation, IEC 61810-5 :	

### Specifications

Operate Time + Bounce Time	10 ms.
Release Time + Bounce Time	8 ms.
Ambient Temperature	-40°C (no ice)... +70°C
Mechanical life ops.	10 Million AC, 20 Million DC relays
Electrical life at nominal load	> 100,000 ops.
Operating frequency at nominal load	1,200 / hour
Protection degree	IP40 / RT1
Weight avg.	43 grs.

### Standard Types

<b>AC : 50Hz : 6, 12, 24, 48, 115 (120), 230 (240)</b>	
F = Mechanical Flag Indicator	<b>P12-N-F</b> .... VAC
P = LED Indicator	<b>P12-N-FP</b> .... VAC
C = Test to Push Button	<b>P12-N-FPC</b> .... VAC
I = Lockable Push Button	<b>P12-N-FPI</b> .... VAC
R = RC Snubber circuit (115 or 230V)	<b>P12-N-FPIR</b> .... VAC
<b>DC : 6, 12, 24, 48, 110, 220</b>	
F = Mechanical Flag Indicator	<b>P12-N-F</b> .... VDC
P = LED	
W = Free Wheeling Diode	<b>P12-N-FPW</b> .... VDC
Z = Polarity & Free Wheeling Diode	<b>P12-N-FPZ</b> .... VDC
C = Test to Push Button	<b>P12-N-FPZC</b> .... VDC
I = Lockable Push Button	<b>P12-N-FPZI</b> .... VDC
B = AC/DC Bridge Rectifier (24/48V)	<b>P12-N-FPIB</b> .... VDC

### Suitable Sockets : S12D-R, S12LD-R, S8D-R, S12P-R

### Approvals

