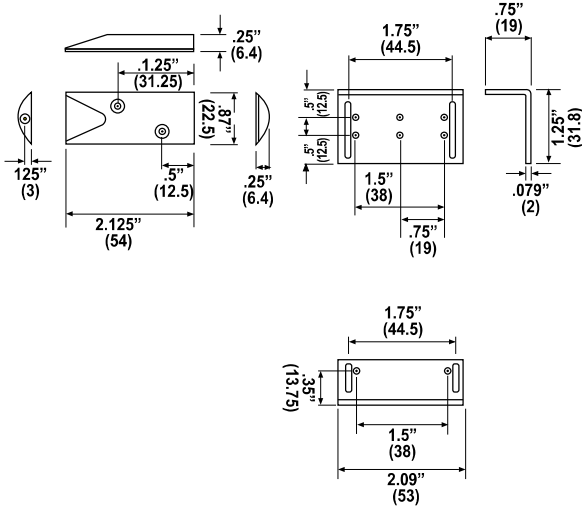




# P 175

## Over Head Door

### Dimensions in mm.



(Dimensions in brackets are in mm)

### Specifications

- Rugged aluminium pressure die casted housing
- High security stainless steel interlocked armoured cable
- Large operating gap more than 2 1/2 (63.5 mm)
- Small compact and corrosion resistant
- Mounting hardware included

Ordering Information	Gap Size	Loop	Lead Type
P 175	2" (50.8 mm)	Closed	#22 AWG WIRE 18" (450mm) LONG

### Reed Switch Specification :-

Contact Type	: Normally Open Switch N/O Contacts (Form 'A') [standard] [Form 'B'-N/C OR Form 'C' -C/O contact type are given on request]
Contact Resistance	: 100m ohms Max.
Contact Rating	: Switching current 0.4 Amps
Max. Carry Current	: 1A,
Power consumption	: 10 VA
Max. Switching Voltage	: 100 VDC
Life Expectance	: 10 million operations