

P30

Power Relays

30 A 230V AC1

30 A 24V DC1

Contact Specifications

Materials : Standard

Silver Alloy

Contact Type

1C/O, 2C/O & 3C/O

Double Break Y

(All the above types can be supplied in NO Version also)

Contact Rating

30 A @ 230VAC1

7 A @ 115 VAC (pf 0.4)

7 A @ 28 VAC (capacitive)

40 A @ 250V AC1

Special Contact Rating

(2c/o of contacts connected in parallel)

S/N	Nominal Coil Voltage DC	Resistance in $\Omega \pm 10\%$ @ 25°C
1	6	30
2	9	75
3	12	100
4	18	300
5	24	400
6	48	200
7	110	10000

General Data

Operate Time

< 30 milli sec at nominal V_g

Release Time

< 20 milli sec

Insulation Resistance

250 M ohms @ 500V DC

Di-Electric Strength

2000 VAC

between body and contact

between body and coil

2000 VAC

Working Temperature

-10°C to +70°C

Mechanical Life

1×10^6

Electrical Life

1×10^5 @ rated current (resistive)

Coil Power Dissipation

1.4 watts @ nominal V_g

Must Operate Voltage @ 25°C

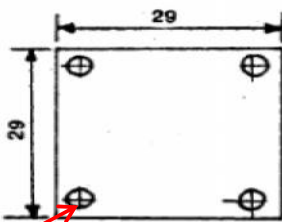
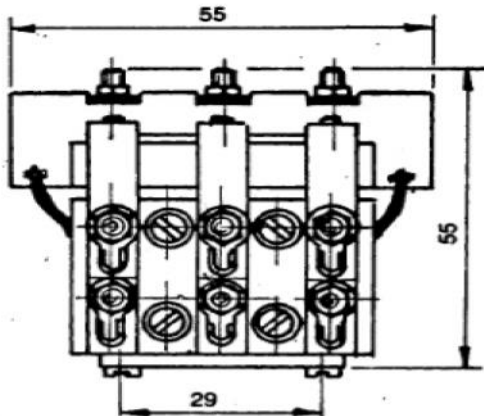
$\leq 75\%$ of Nominal V_g

Must Release Voltage @ 25°C

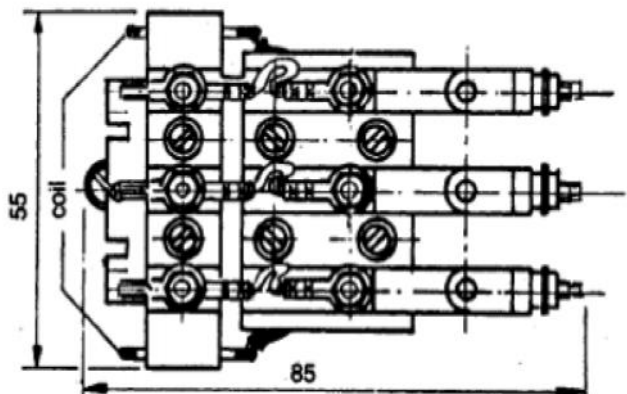
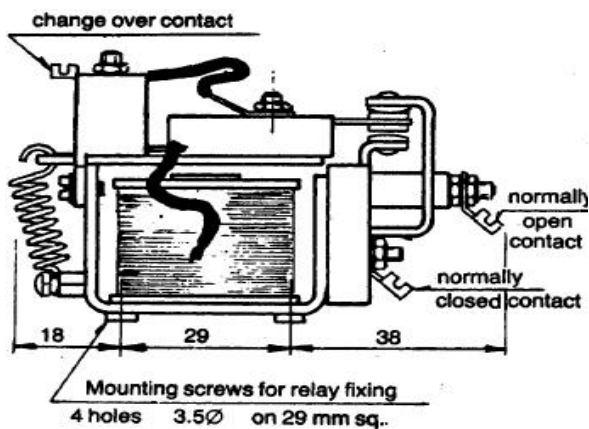
$\geq 10\%$ of Nominal V_g

Max. Coil Voltage

10% of Nominal V_g



Mounting Hole dimension 4 mm dia of 4 Nos.



Paramount Industries

No.: 70, 5th Cross, SSI Area, Rajajinagar, Bangalore-560010, INDIA

Tel : +91-80-22970010, 23157313, 23150828

Fax : +91-80-23302574, 28520623

Email : info@paramount.net.in

Website : www.paramount.net.in