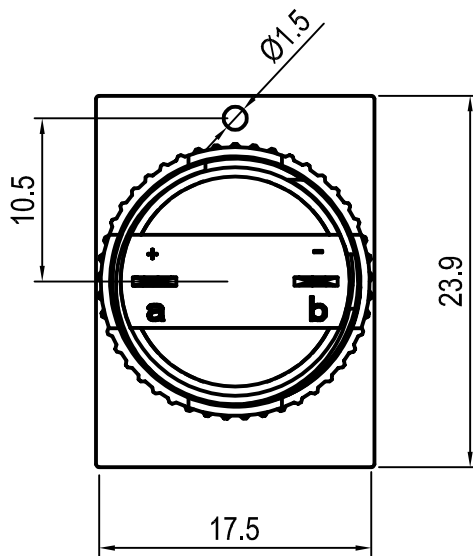
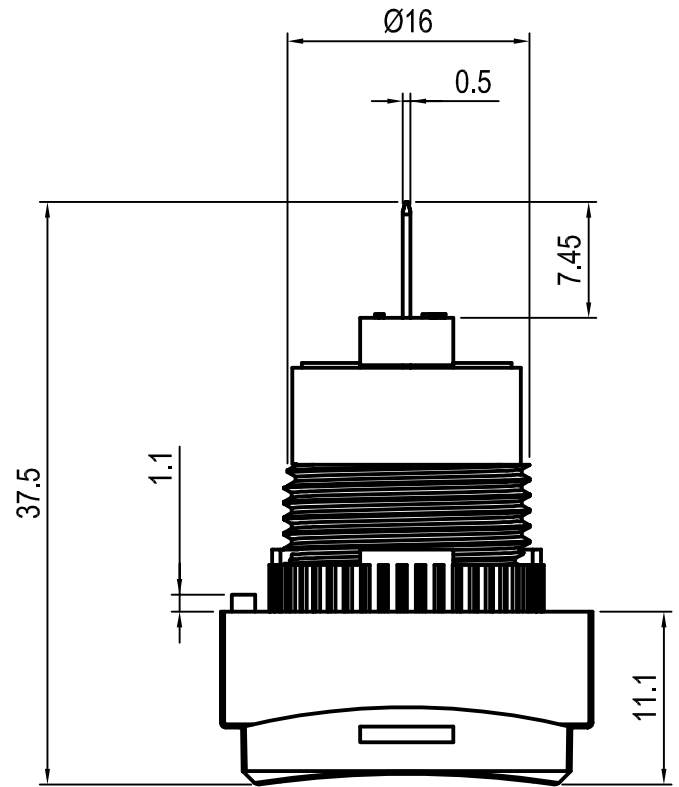
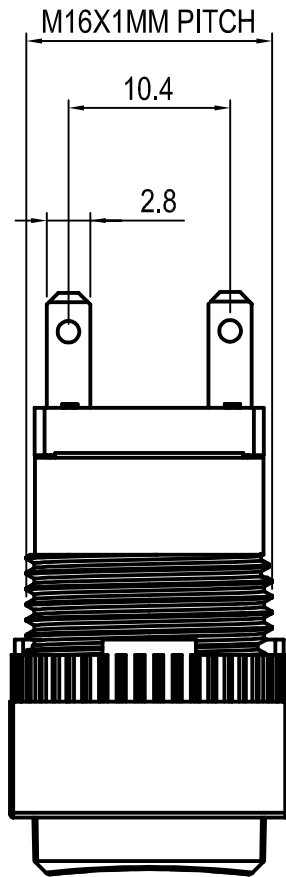


If Any Doubt Please Ask



1	2	3	4	5	6	7
PE-16X	R	O	X	G	B	28

EXAMPLE : FOR INDICATOR

MEANS : Series PE-16X Circular, Indicator, Green, bulb, 28V dc.

PARAMOUNT

BANGALORE-10

* All DIMENSIONS ARE IN "mm"

* MATCHING DIMENSIONS MARKED

* CRUCIAL CHARACTERISTICS MARKED

07 F/INDICATOR

TITLE: INDICATOR
RECTANGLE SHAPE

SCALE
1:1

DETAILS



TOLERANCE SYSTEM

25.0 = ±0.1

25.00 = ±0.01

25.0000 = ±0.005

25.0000 = ±0.002

NAME

MANJU

CHD

APPR

AJIT

SIGN

DATE

08/12/18

08/12/18

08/12/18

DRAWING NO:

PART NO:

SHEET NO:

01	INITIAL RELEASE		
REV.NO	BRIEF RECORD	DRAWN	DATE
REVISION RECORD			

1 2 3 4 5 6 7 8 9 10