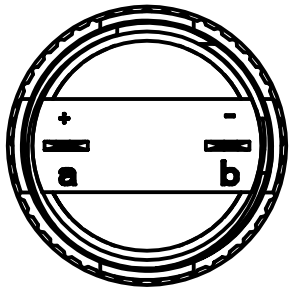
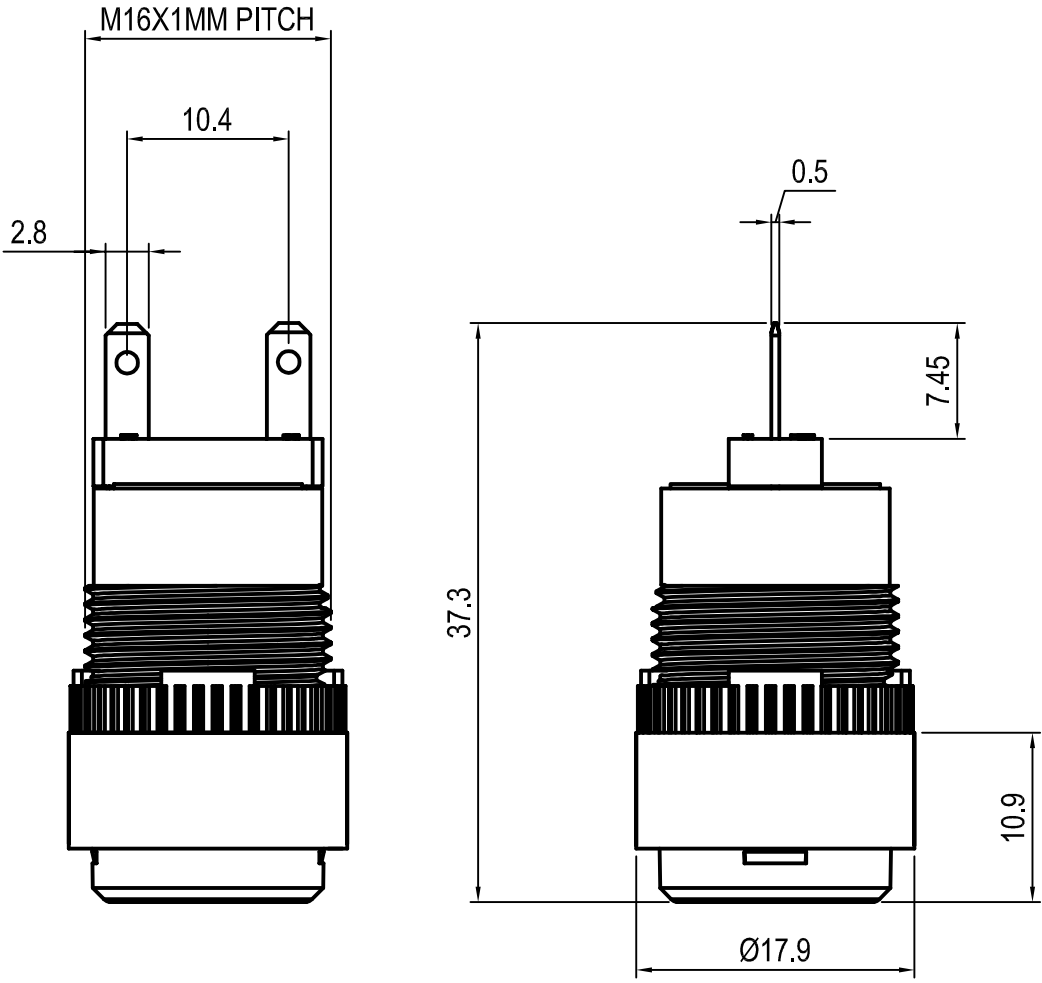


If Any Doubt Please Ask



1	2	3	4	5	6	7
PE-16X	C	O	X	G	B	28

EXAMPLE : FOR INDICATOR
 MEANS : Series PE-16X Circular, Indicator, Green, bulb, 28V dc.

PARAMOUNT BANGALORE-10		* All DIMENSIONS ARE IN "mm" * MATCHING DIMENSIONS MARKED _____ * CRUCIAL CHARACTERISTICS MARKED _____			
		TOLERANCE SYSTEM 25.0 = ±0.1 25.00 = ±0.01 25.000 = ±0.005 25.0000 = ±0.002	NAME DSN MANJU CHD - APPR AJIT	SIGN	DATE 08/12/18 08/12/18 08/12/18
(07) F/TH-INDICATOR TITLE: TH-INDICATOR CIRCULAR SHAPE		DRAWING NO: _____ PART NO: _____ SHEET NO: _____	SCALE 1:1 DETAILS		

01	INITIAL RELEASE		
REV.NO	BRIEF RECORD	DRAWN	DATE
REVISION RECORD			