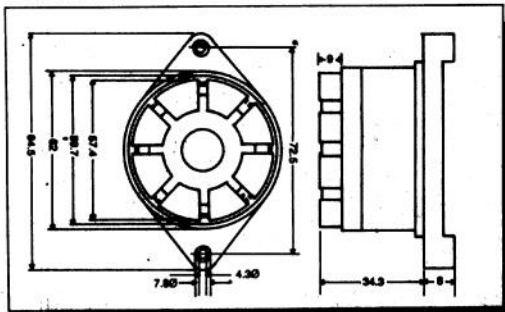
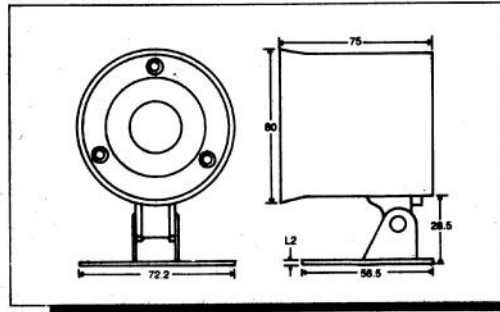


Paramount Electronics High Power Piezo Buzzer features most efficient and accoustically designed housing which generates sound levels of approx. + 120db at 1 metre over the frequency of 2.5 to 3.5KHz. The life expectancy exceeds 1000 hrs. of continuous operation. Low power consumption, no electrical noise, immunity to voltage fluctuations and continuous operation are some of the superior features over the conventional electrical hooters.

MODEL PZ-10



MODEL PZ-20



Specifications

1. Operating voltage 6,12,24,48,220VDC/AC
2. Output : Min. 120dB at 1 metre
3. Watts : 5 watt Max.
4. Type : Continuous and intermittent
5. Operating Temp : + 10°C to 70°C Max.
6. Humidity : Max. 70%RH

PARAMOUNT ELECTRONICS PVT. LTD.
No. B-107, 1st Floor, K.S.S.I D.C.
Industrial Estate, Rajajinagar,
BANGALORE-560 044.

Our other products.

1. Piezo Buzzers
2. Illuminated Push Button Switches
3. Snap Action Switches
4. Press Wheel Switches
5. Mimic Lamps

~~PARAMOUNT
ELECTRONICS PVT. LTD.
No. 70, S.S.I. Area, Rajajinagar
Bangalore - 560 010. (INDIA)
Tel: 357313
Telex: 0845-8374 PAID IN~~