

# PIEZO BUZZER

# PZ-5 35mm 230V AC 50HZ

## GENERAL

SENSITIVE MINIATURE ELECTRONIC BUZZER EMPLOYS AN EXTREMELY SIMPLE PIEZO ELECTRIC DRIVE SYSTEM TO GENERATE AUDIABLE SOUND. IT CAN WORK OVER A WIDE RANGE OF VOLTAGE 230V AC 50 HZ AND CONSUMES CURRENT AS LOW AS 1 mA. THIS HIGH RELIABILITY, LOW COST, LIGHT WEIGHT BUZZER FIN'D VARIOUS APPLICATIONS SUCH AS, FIRE ALARM, GAS LEKAGE DETECTOR, AUTOMOBILES, TIMERS, CLOCKS, KEY BOARDS, COMPUTERS, TOYS, CONTINUITY TESTERS, TELEPHONE EXCHANGES ETC..

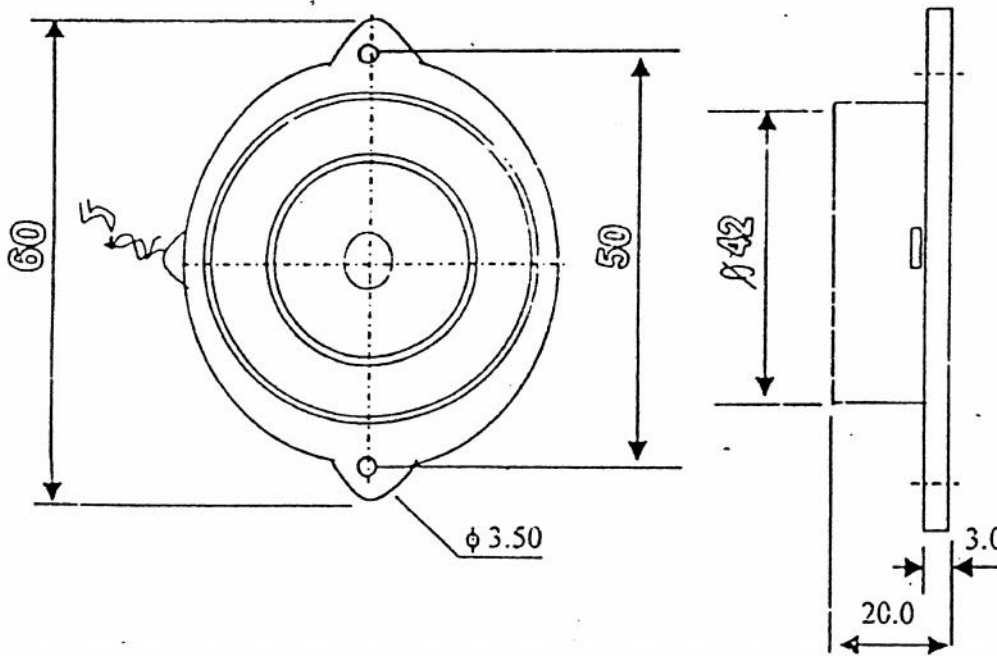
## FEATURES



- Light Weight and Long Life
- Simple Operation principle
- Few Components and hence high reliability
- Low Power Consumption
- No Electro Magnetic Noise

## SPECIFICATIONS

WORKING VOLTAGE : 230V AC 50 Hz  
 CURRENT CONSUMPTION : Max 10 mA @ 230V AC 50 Hz  
 OUT PUT : More than 100 Db at 230V AC (30 cms)  
 DUTY CYCLE : ON for 10 minutes and OFF for 5 minutes after 10 minutes ON continuity

## MECHANICAL DIMENSION FOR PZ-5 230 VAC CONTINUOUS



DESIGN	SIGN	DATE	MATERIAL	HARDNESS	MODIFICATION			
DRAWN			SURFACE FINISH	ALL DIMENS				
CHECKED			 	SCALE				
APPROVED							LOCATION	INDEX
PARAMOUNT ELECTRONICS PVT. LTD.					TITLE			
					PIEZO BUZZER			
					PART NUMBER		SHEET	
					PZ - 5 [ 35 mm ]		1 OF 1	