

PIEZO BUZZER - MODEL - PZ - 5 230V AC 50Hz

GENERAL

SENSITIVE MINIATURE ELECTRONIC BUZZER EMPLOYS AN EXTREMELY SIMPLE PIEZO ELECTRIC DRIVE SYSTEM TO GENERATE AUDIBLE SOUND. IT CAN WORK OVER A WIDE RANGE OF VOLTAGE 230 V AC AND CONSUMES CURRENT AS LOW AS 1 mA. THIS HIGH RELIABILITY, LOW COST, LIGHT WEIGHT BUZZER FINDS VARIOUS APPLICATIONS SUCH AS FIRE ALARM, GAS LEAKAGE DETECTOR, OFFICE EQUIPMENT, TIMERS, COMPUTERS ETC.

FEATURES

1. Light weight and long life
2. Simple operating principle
3. Few components and hence high reliability
4. Low power consumption
5. No electromagnetic noise

SPECIFICATIONS

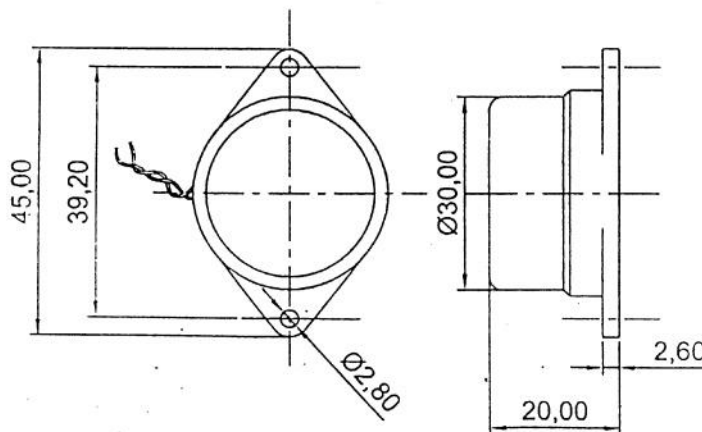
WORKING VOLTAGE : 230 V AC 50 Hz

CURRENT CONSUMPTION : Maximum 10 mA at 230 V AC 50 Hz

OUTPUT : MINIMUM 90 dB at 230 V AC [30 Cms]

DUTY CYCLE : ON for 10 minutes and OFF for 5 minutes after 10 minutes ON continuity

MECHANICAL DIMENSION



| | | | |
|---|---------------------|------------------------|--|
| PARAMOUNT ELECTRONICS PVT. LTD. No. 9-107, 1st FLOOR, KSSIDC INDL. ESTATE, RAJAJINAGAR, BANGALORE-44 | DRAWN SRINIVAS.S | CHECKED NANDA KUMAR | TITLE PIEZO BUZZER |
| | DATE 22/02/2003 | SCALE N.T.S | PART NO. PZ - 5 , 27 MM 230 V AC |