

PIEZO BUZZER

PZ - 2, 35 MM, 48 V DC
(C DOT : EVA BEEP0003-401)

GENERAL

SENSITIVE MINIATURE ELECTRONIC BUZZER EMPLOYS AN EXTREMELY SIMPLE PIEZO ELECTRIC DRIVE SYSTEM TO GENERATE AUDIBLE SOUND. IT CAN WORK OVER A WIDE RANGE OF VOLTAGE FROM 5 TO 48 V DC AND CONSUMES CURRENT AS LOW AS 1 mA. THIS HIGH RELIABILITY, LOW COST, LIGHT WEIGHT BUZZER FINDS VARIOUS APPLICATIONS SUCH AS FIRE ALARM, GAS LEAKAGE DETECTOR, AUTOMOBILE, OFFICE EQUIPMENT, TIMERS, CLOCKS, KEYBOARDS, COMPUTERS, TOYS, CONTINUITY TESTERS ETC.

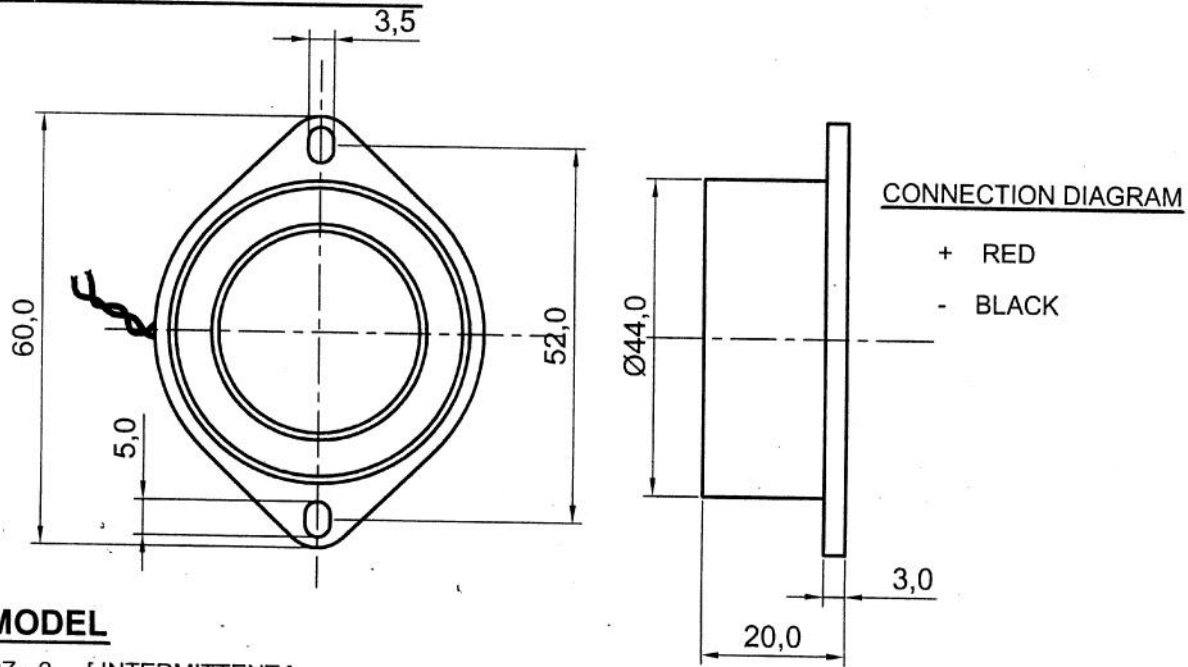
FEATURES

1. Light weight and long life
2. Simple operating principle
3. Few components and hence high reliability
4. Low power consumption
5. No electromagnetic noise

SPECIFICATIONS

WORKING VOLTAGE : 5 to 48 V DC
CURRENT CONSUMPTION : Less than 10 mA at 12 V DC
OUTPUT : More than 100 dB at 12 V DC [30 Cms]
OUTPUT VOLTAGE : 2.7 to 3 KHz

MECHANICAL DIMENSION



MODEL

PZ - 2 [INTERMITTENT]

SIGN	DATE	MATERIAL	HARDNESS	MODIFICATION					
					LOCATION	INDEX	ALTERATION	SIGN	DATE
DESIGN									
DRAWN		SURFACE FINISH	ALL DIMENSIONS IN MILLIMETRES						
CHECKED			SCALE	TITLE					
APPROVED				PIEZO BUZZER					
PARAMOUNT ELECTRONICS PVT. LTD. No. B-107, 1st FLOOR, KSSIDC INDL. ESTATE, RAJAJINAGAR, BANGALORE-44				PART NUMBER EVA BEEP0003-401					