

# PIEZO BUZZER - MODEL - PZ - 2 [ INTERMITTENT ]

## GENERAL

SENSITIVE MINIATURE ELECTRONIC BUZZER EMPLOYS AN EXTREMELY SIMPLE PIEZO ELECTRIC DRIVE SYSTEM TO GENERATE AUDIBLE SOUND. IT CAN WORK OVER A WIDE RANGE OF VOLTAGE FROM 3 TO 24 V DC AND CONSUMES CURRENT AS LOW AS 1 mA. THIS HIGH RELIABILITY, LOW COST, LIGHT WEIGHT BUZZER FINDS VARIOUS APPLICATIONS SUCH AS FIRE ALARM, GAS LEAKAGE DETECTOR, AUTOMOBILE, OFFICE EQUIPMENT, TIMERS, CLOCKS, KEYBOARDS, COMPUTERS, TOYS, CONTINUITY TESTERS ETC.

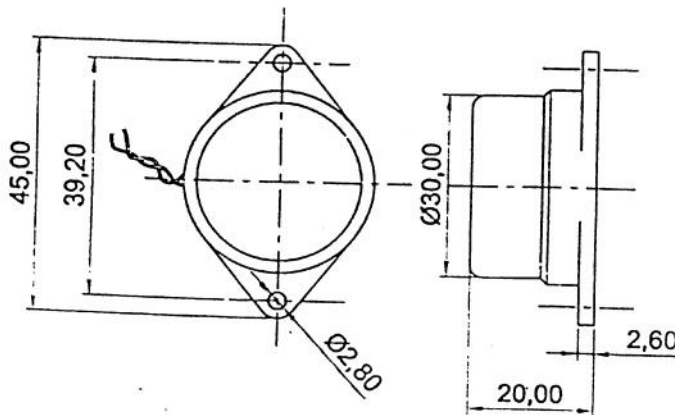
## FEATURES

1. Light weight and long life
2. Simple operating principle
3. Few components and hence high reliability
4. Low power consumption
5. No electromagnetic noise

## SPECIFICATIONS

<u>WORKING VOLTAGE</u>	: 3 to 24 V DC
<u>CURRENT CONSUMPTION</u>	: Maximum 40 mA at 24 V DC
<u>SOUND OUTPUT</u>	: More than 100 dB at 12 V DC [30 Cms]
<u>OUTPUT FREQUENCY</u>	: 2.7 to 3 KHz

## MECHANICAL DIMENSION



## CONNECTION DIAGRAM

- + RED
- BLACK

PARAMOUNT ELECTRONICS PVT. LTD.  
No. B-107, 1st FLOOR,  
KSSIDC INDL. ESTATE,  
RAJAJINAGAR, BANGALORE-44

DRAWN	CHECKED	TITLE
DATE	SCALE	PART NO.
		PIEZO BUZZER
		PZ - 2, 27 MM 3 TO 24 V DC

12(i)