

PIEZO BUZZER PCB MOUNTABLE TYPE- PZ -1-PLX

GENERAL

COMPACT, LOW HEIGHT AND PCB MOUNTABLE PIEZO ELECTRIC BUZZER EMPLOYS SIMPLE DRIVE SYSTEM TO GENERATE AUDIBLE SOUND. IT CAN WORK OVER A WIDE RANGE OF VOLTAGE FROM 1.5 TO 24 V DC. THIS FINDS VARIOUS APPLICATION DUE TO ITS LOW POWER CONSUMPTION, LIGHT WEIGHT AND HIGH RELIABILITY IN FIRE ALARM, GAS LEAKAGE DETECTOR, OFFICE EQUIPMENT, TIMERS, CLOCKS, KEYBOARDS, COMPUTERS, TOYS, CONTINUITY TESTERS ETC.

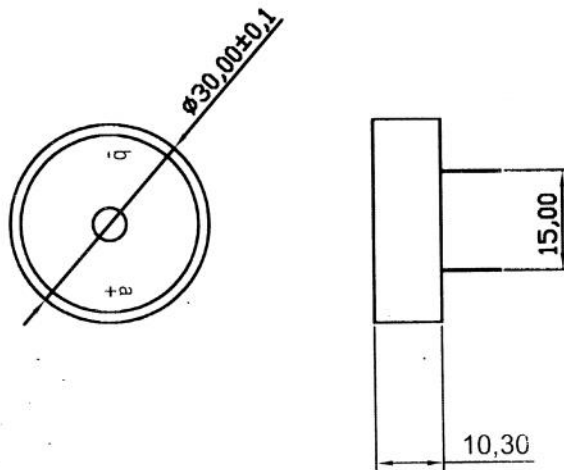
FEATURES

1. Light weight and long life
2. Low power consumption
3. No electrical, electromagnetic noise
4. Wide operating voltage

SPECIFICATIONS

<u>WORKING VOLTAGE</u>	: 1.5 to 24 V DC
<u>CURRENT CONSUMPTION</u>	: < 12 mA @ 12 V DC
<u>SOUND OUTPUT</u>	: Minimum 95 dB at 12 V DC (30 cm)
<u>OUTPUT FREQUENCY</u>	: 2.7 to 3 KHz

MECHANICAL DIMENSION



PARAMOUNT BANGALORE-10				* ALL DIMENSIONS ARE IN "mm" * MATCHING DIMENSIONS MARKED * CRUCIAL CHARACTERISTICS MARKED	
(04) F/BUZZER/NEWFOLDER/BUZZER				TOLERANCE SYSTEM	NAME
TITLE: PIEZO BUZZER				25.0 = ±0.1	DSN MANJU
-----				25.00 = ±0.01	CFD
SCALE: _____				25.000 = ±0.005	APPR
PART DETAIL				25.0000 = ±0.002	DATE
DRAWING NO: _____				SIGN: <i>[Signature]</i>	
PART NO: PZ-1-PLX				DATE: 07/12/29	
SHEET NO: _____				DATE: 07/12/29	
OF _____				DATE: 07/12/29	

INITIAL RELEASE	DRAWN	DATE
BRIEF RECORD		
REVISION RECORD		