

# PIEZO BUZZER

## GENERAL

SENSITIVE MINIATURE ELECTRONIC BUZZER EMPLOYS AN EXTREMELY SIMPLE PIEZO ELECTRIC DRIVE SYSTEM TO GENERATE AUDIBLE SOUND.IT CAN WORK OVER A WIDE RANGE OF VOLTAGE FROM 1.5 TO 24V DC AND CONSUMES CURRENT AS LOW AS 1mA.THIS HIGH RELIABILITY,LOW COST,LIGHT WEIGHT FINDS VARIOUS APPLICATIONS SUCH AS FIRE ALARM,GAS LEAKAGE DETECTOR,AUTOMOBILE,OFFICE EQUIPMENT,TIMERS,CLOCKS,KEYBOARDS,COMPUTERS,TOYS,CONTINUITY TESTERS ETC.

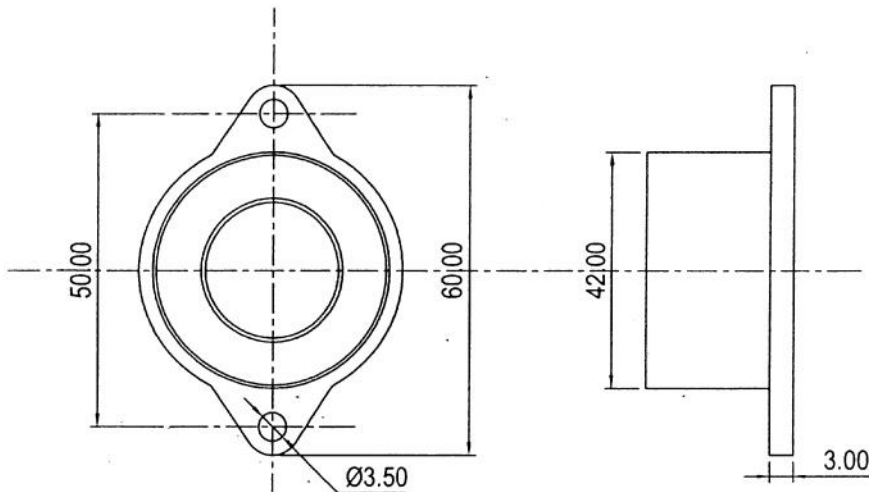
## FEATURES

- 1 . LIGHT WEIGHT AND LONG LIFE.
- 2 . SIMPLE OPERATING PRINCIPLE.
- 3 . FEW COMPONENTS AND HENCE HIGH RELIABILITY.
- 4 . LOW POWER CONSUMPTION
- 5 . NO ELECTROMAGNETIC NOISE.

## SPECIFICATIONS

**WORKING VOLTAGE** : 1.5 TO 24 V DC  
**CURRENT CONSUMPTION** : LESS THAN 10mA AT 12 V DC  
**OUTPUT** : MORE THAN 100dB AT 12 V DC [30 Cms]  
**OUTPUT FREQUENCY** : 2.7 TO 3 KHz

## MECHANICAL DIMENSION



CONNECTION DIAGRAM

- + RED
- BLACK

## MODEL

PZ - 1 [CONTINUOUS]

PARAMOUNT ELECTRONICS PVT LTD BANGALORE-44		* ALL DIMENSIONS ARE IN "mm" * MATCHING DIMENSIONS MARKED * CRUCIAL CHARACTERISTICS MARKED		
⑩ F: SANTOSH\HOOTER\ PANELMOUNTINGPART	TOLERANCE SYSTEM	NAME	SIGN	DATE
TITLE: PIEZO BUZZER PZ - 1-35mm DIA	25.0 = ±0.1	DSN	SANTOSH	07/01/11
	25.00 = ±0.01	CHD	---	07/01/11
	25.0000 = ±0.002	APPR	---	07/01/11

01	INITIAL RELEASE		
REV.NO	BRIEF RECORD	DRAWN	DATE
REVISION RECORD			

SCALE	DETAILS	DRAWING NO:	PART NO:	SHEET NO:
NTS		---	---	---