

PIEZO BUZZER

(C DOT : EVA BEEP0001-401)

GENERAL

SENSITIVE MINIATURE ELECTRONIC BUZZER EMPLOYS AN EXTREMELY SIMPLE PIEZO ELECTRIC DRIVE SYSTEM TO GENERATE AUDIBLE SOUND. IT CAN WORK OVER A WIDE RANGE OF VOLTAGE FROM 1.5 TO 24 V DC AND CONSUMES CURRENT AS LOW AS 1 mA. THIS HIGH RELIABILITY, LOW COST, LIGHT WEIGHT BUZZER FINDS VARIOUS APPLICATIONS SUCH AS FIRE ALARM, GAS LEAKAGE DETECTOR, AUTOMOBILE, OFFICE EQUIPMENT, TIMERS, CLOCKS, KEYBOARDS, COMPUTERS, TOYS, CONTINUITY TESTERS ETC.

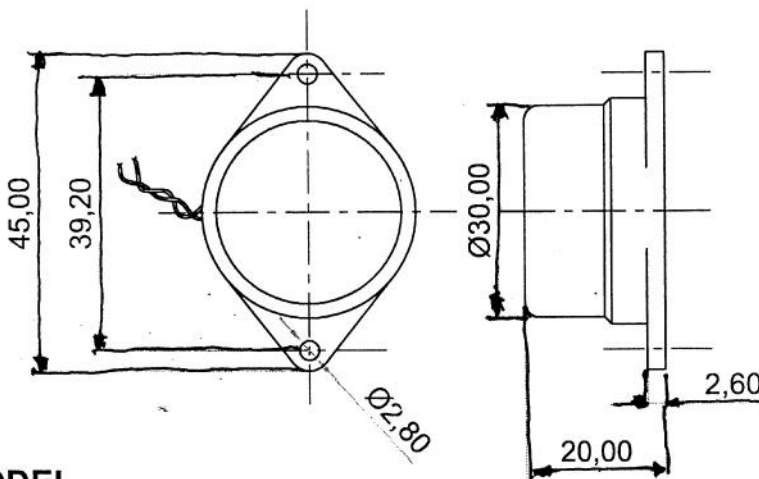
FEATURES

1. Light weight and long life
2. Simple operating principle
3. Few components and hence high reliability
4. Low power consumption
5. No electromagnetic noise

SPECIFICATIONS

WORKING VOLTAGE : 1.5 to 24 V DC
CURRENT CONSUMPTION : Less than 10 mA at 12 V DC
OUTPUT : More than 100 dB at 12 V DC [30 Cms]
OUTPUT VOLTAGE : 2.7 to 3 KHz

MECHANICAL DIMENSION



CONNECTION DIAGRAM

+ RED
- BLACK

MODEL

PZ - 1 [CONTINUOUS]

PARAMOUNT ELECTRONICS PVT. LTD.
No. B-107, 1st FLOOR,
KSSIDC INDL. ESTATE,
RAJAJINAGAR. BANGALORE-44

DRAWN

CHECKED

TITLE

PIEZO BUZZER

DATE

SCALE
NTS

PART NO.

EVA BEEP0001-401