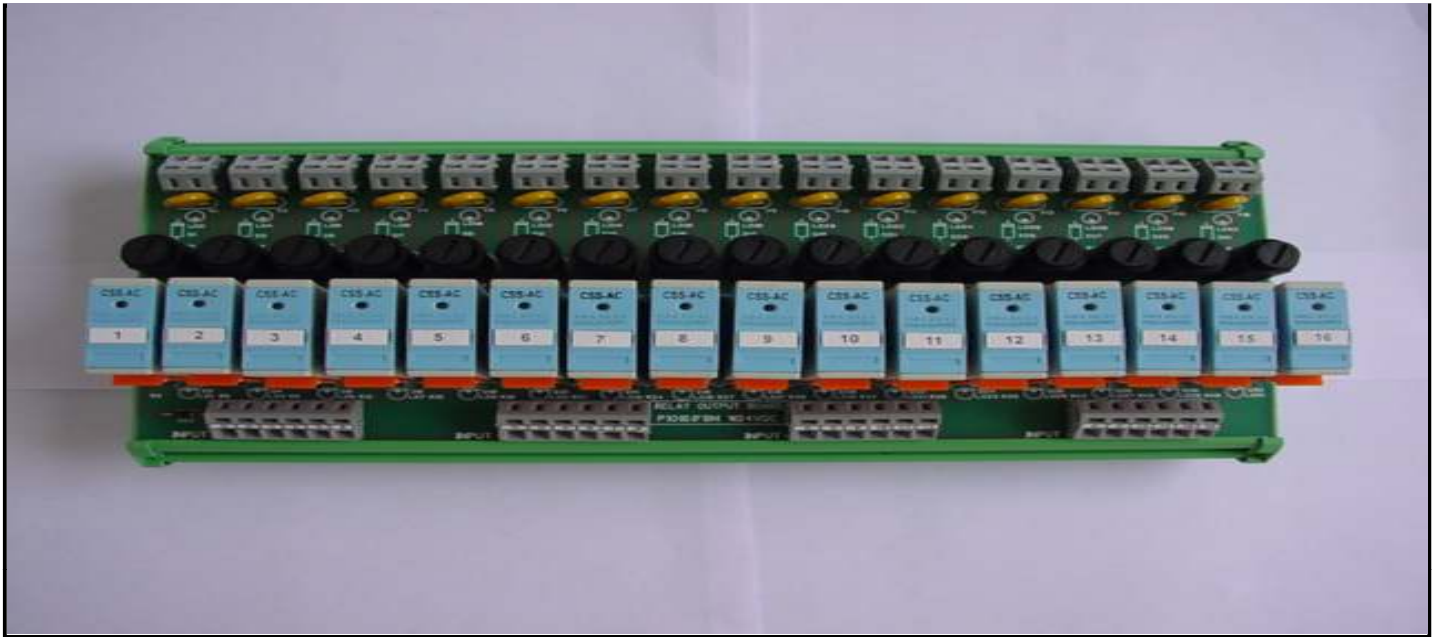


## Series PIO161FBN W24VDC 16 Channel Output Relay Board



These CSS Relay modules provide a compact, reliable, high speed, & more no. of operations than Electromagnetic Relays with cost effective means of providing an isolation and safety barrier between the field equipment and the PLC.

The input of each relay is activated by the PLC and the contacts of the relays connected to the field, providing increased load switching capability with fuse protection and easy configuration

The Output relay interface module has fuses for each channel.

<b>Contents</b>	<b>Page</b>
Output relay module	: 2
Relay & Socket features	: 3
Circuit Diagram	: 4
PCB Layout	: 5

## Paramount Industries,

No.: 70, 5th Cross, SSI Area, Rajajinagar, Bangalore - 560 010 - INDIA

Phone No.: +91-80-23150828, 23157313, 22970010 - Fax No.: +91-80-23302574 - Email : info@paramount.net.in

**Series : PIO161FBN W24VDC**

### Output Relay Module Specification

Model	No. of Channel Supply	No. of field supply	No. of Logic supply	Field supply connection	Dimension L x W x D in mm	Field Fuse Rating	Logic Fuse Rating	Channel Fuse Rating
PIO161FBNW24VDC	16	-	-	-	254 x 108 x 69	-	-	1 A Slow Blow

### Component Specifications / Other details

- 1 Fuse Holders
  - PCB Mountable Vertical Fuse Holder (5x20 fuses)
- 2 Fuses : 5 x 20 mm Fuses Glass Cartridge  
Channel Supply : 3 Amps Slow Blow
- 3 Extrusion Make : Phoenix Contact
- 4 Terminal Blocks Make : WAGO - CAGE CLAMP TYPE (Screwless)
- 5 Fuses are available for each channel

**Series : PIO161FBN W24VDC**

## Relay Specifications

1	Make	:	<b>RELECO - PARAMOUNT</b>
2	Part No.	:	CSS - AC
		:	
	<b>Input Parameters</b>		
3	Input Current	:	15 m Amps Max.
4	Input Voltage Range	:	5 ..... 32 VDC
5	Drop out Voltage	:	< 2.5 VDC
	<b>Output Parameters</b>		
6	Max. Switching Current	:	5A @ 230VAC
7	Min. Switching Current	:	50 mA
8	Max. Switching Voltage	:	250VAC
9	Min. Switching Voltage	:	24VAC
10	Max. Output Voltage Drop	:	1.5 VAC
11	Max. Output Leakage Current in OFF State	:	0.55 mA
	<b>Specifications</b>		
12	Di-Electric Strength Input / Output	:	4 KV / 1 min.
13	Operate Time	:	0.1 m sec Max.
14	Release Time	:	10 m sec Max.
15	Working Temperature Max.	:	60 degree C
16	Storage Temperature	:	100 degree C
17	Weight	:	28 grms Max.
18	Dimension ( L x W x H)	:	28.9 x 13 x 36.1 mm

## Relay Features

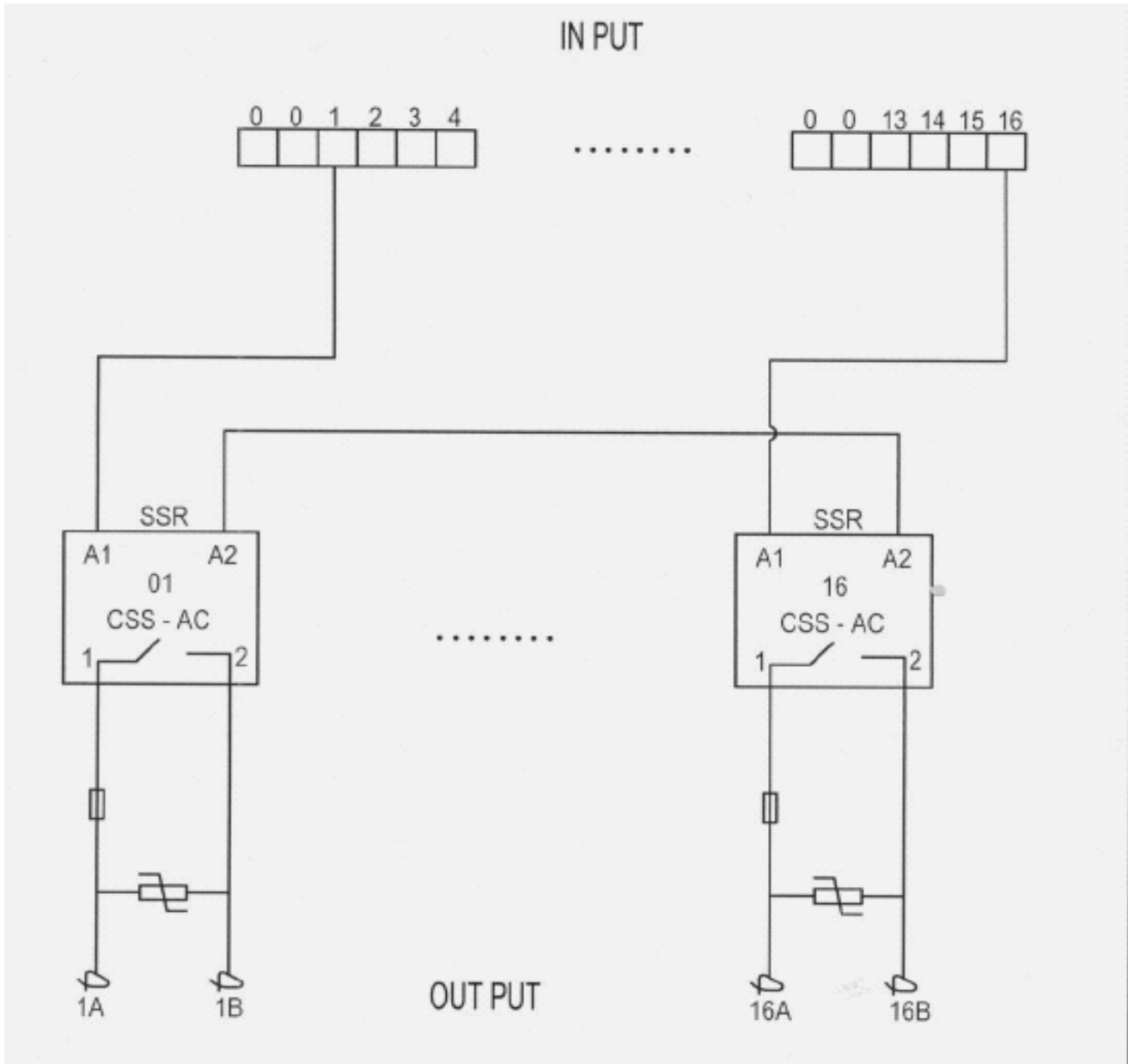
1	Industrial 4.75mm Faston terminals
2	Marking Lable (to indicate relay number etc...)

## Socket Specifications

1	Make	:	<b>RELECO - PARAMOUNT</b>
2	Part No.	:	<b>S10P</b>
3	Nominal Load	:	10 Amps @ 250VAC
4	Maximum Switching Voltage	:	400 volts
5	Di-Electric Strength between contact and coil terminal	:	5 KV
6	Terminals	:	Hard Brass Tin Plated
7	Retainer clip	:	Integrated hold down type
8	Dimensions (length x breadth x height)	:	31.0 x 14.8 x 5.20 + 13.4mm (pin+body height)
9	Touch protected	:	Yes
10	Weight	:	8 grms

Series : PIO161FBN W24VDC

## CIRCUIT DIAGRAM



PCB LAYOUT

