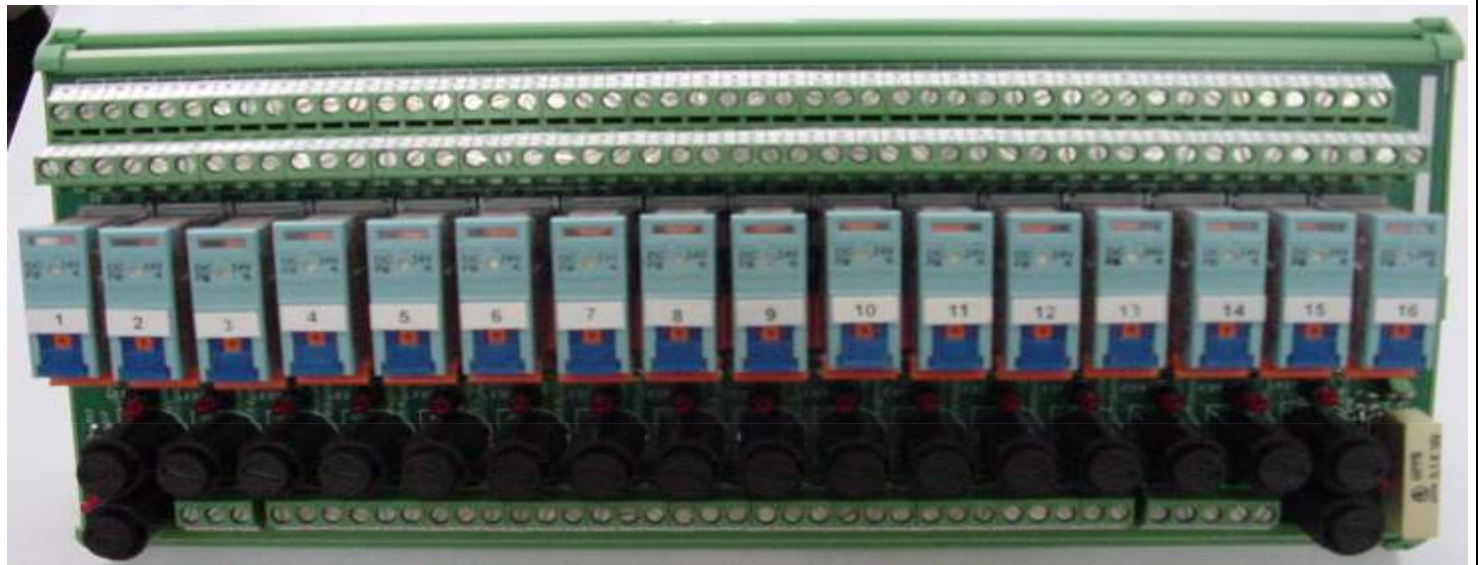


Paramount Relay Interface Module



Series: PII162ZRCFBV24VDC 16 Channel Input Relay Board



These Relay modules provide a compact, reliable & cost effective means of providing an isolation and safety barrier between the field equipment and the PLC

The coil of each relay is activated by the PLC and the contacts of the relays connect to the field, providing increased load switching capability with fuse protection and easy configuration

The Relays have a label on the top of the relay to indicate the channel / relay number and have 2.5mm blade type Industrial Pins for Industrial Plug In application

Contents	Page
Input relay module	: 2
Relay & Socket features	: 3
Circuit Diagram	: 4
PCB Layout	: 5

Series: PII162ZRCFBV24VDC

Input Relay Module Specification

Model	No. of Channel Supply	No. of field supply	No. of Logic supply	-	Dimension L x W x D in mm	Field Fuse Rating	Logic Fuse Rating	Channel Fuse Rating
PII162RCFBV24VDC	16	0	0		270 x 120 x 80	2A SB	-	250 mA FB

SB - Slow Blow
FB - Fast Blow

Component Specifications / Other details

- 1 Fuse Holders PCB Mountable Vertical Fuse Holder (5x20 fuses)
- 2 Fuses 5 x 20 mm Fuses Glass Cartridge
- 3 Extrusion Make : Phoenix Contact
- 4 Terminal Blocks Make : Phoenix Contact
- 5 Fuses are available for each channel with fuse blow indication (Red colour LED)

Series: PII162ZRCFBV24VDC

Relay Specifications

1	Make	:	PARAMOUNT
2	Part No.	:	P2-FPZIR-1-24VDC
3	Coil Voltage	:	24VDC
4	Contact Configuration	:	2 C/O
5	Contact Rating	:	5A @ 30VDC1 / 5A @ 250VAC1
Input Parameters			
6	Input Current	:	40mA Max
7	Maximum Input Voltage	:	28VDC Max.
8	Must Operating Voltage	:	≥0.8 Un
9	Must Switch OFF Voltage	:	≤0.1 Un
Output Parameters			
10	Max. Output Current	:	5A
11	Max. Output Voltage	:	230 VAC / 24VDC
Specifications			
12	Isolation between Input / Output	:	4 KV / 1 Min.
13	Operate Time @ Rated Voltage	:	10 msecs Max.
14	Release Time @ Rated Voltage	:	8 msecs Max.
15	Working Temperature Max.	:	60° C
16	Storage Temperature	:	- 40° C to + 85° C
17	Weight	:	21 grms Max.
18	Dimension (L x W x H)	:	29 x 12.5 x 35.5 mm

Relay Features

1	Industrial 2.5mm Faston terminals
2	Marking Lable (to indicate relay number etc...)

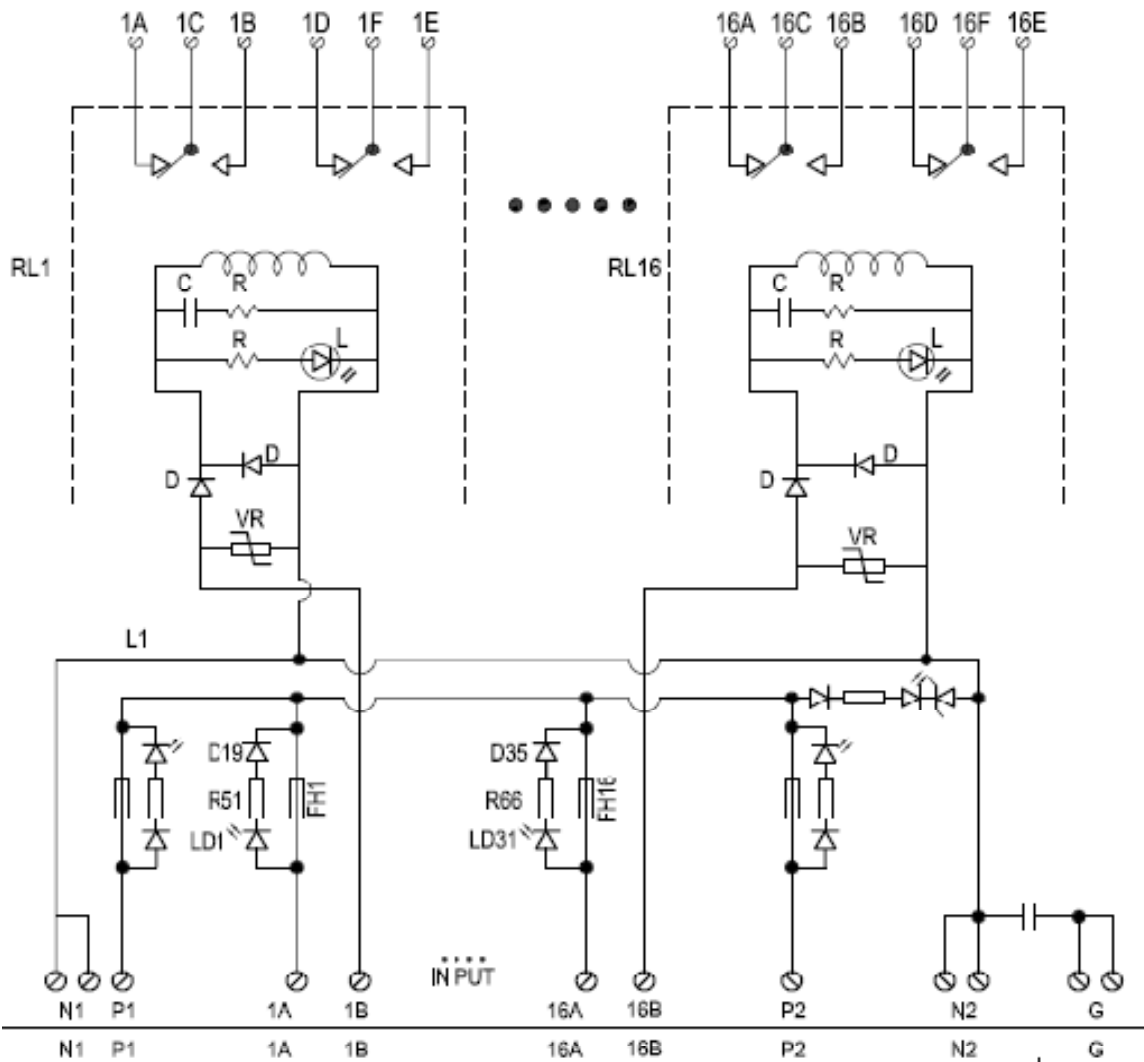
Socket Specifications

1	Make	:	PARAMOUNT
2	Part No.	:	S2P
3	Nominal Load	:	5Amps @ 250VAC
4	Maximum Switching Voltage	:	400 volts
5	Di-Electric Strength	:	5 KV
6	Terminals	:	Hard Brass Tin Plated
7	Retainer clip	:	Integrated hold down type
8	Dimensions (length x breadth x height)	:	32.5 x 14.8 x (4 + 14)mm (pin+body height)
9	Touch protected	:	Yes
10	Weight	:	8 grms

Series: PII162ZRCFBV24VDC

PII162ZRCFBV24VDC

OUT PUT



- 1) FIELD TO ACT LIKE SWITCH
CONNECT TERMINALS 1A & 1B TO FIELD SWITCH.
- 2) FIELD TO SUPPLY PHASE AND NEUTRAL
CONNECT THE PHASE FROM THE FIELD SWITCH TO 1B

- 1) FIELD TO ACT LIKE SWITCH
CONNECT TERMINALS 16A & 16B TO FIELD SWITCH.
- 2) FIELD TO SUPPLY PHASE
CONNECT THE PHASE FROM THE FIELD SWITCH TO 16B

RL-P2-FP2R-1-24VDC
F - FUSE
R - RESISTER
D - DIODE
LED - LED
VR - VARIASTOR

Series: PII162ZRCFBV24VDC

PARAMOUNT
EXPECT MORE...

