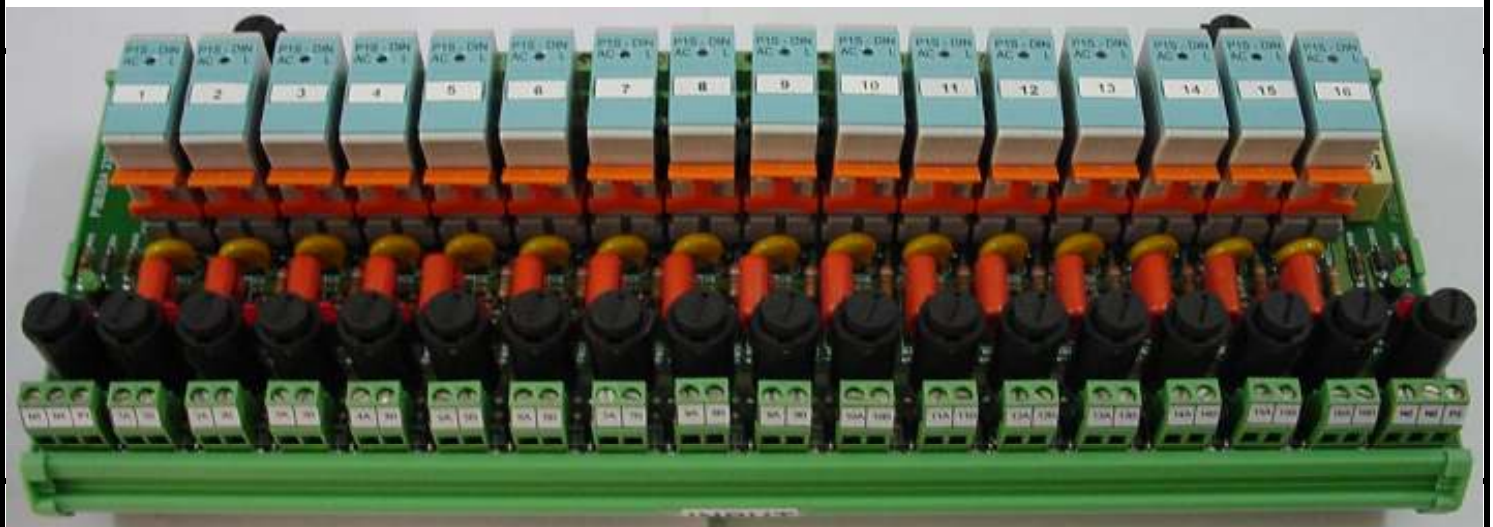


**Paramount Relay Interface Module**

**Series PI16ISBA110VAC<sub>(9D)</sub>**  
**16 Channel Input Relay Board**



These Relay modules provide a compact, reliable & cost effective means of providing an isolation and safety barrier between the field equipment and the PLC

The coil of each relay is activated by the PLC and the contacts of the relays connect to the field, providing increased load switching capability with fuse protection and easy configuration

The Input relay interface module has fuses for each channel, fuses for field supply and logic supply. LED Indication is provided for both field supply and logic supply.

The Relays from Releco have a label on the top of the relay to indicate the channel / relay number and have 4.75 mm blade type Industrial Pins for Industrial Plug In application

<b>Contents</b>	<b>Page</b>
Input relay module	<b>: 2</b>
Relay & Socket features	<b>: 3</b>
Circuit Diagram	<b>: 4</b>
PCB Layout	<b>: 6</b>



**Series : PI16ISBA110VAC (9D)**

**Relay Specifications**

1	Make	:	PARAMOUNT
2	Part No.	:	P1S - DIN
3	Contact Configuration	:	1 N/O
4	Contact Rating	:	100mA @ 32VDC Max.
<b>Input Parameters</b>			
5	Input Current	:	5 m Amps Max. @ 220V AC
6	Maximum Input Voltage	:	250 V AC Max.
7	Switch ON Voltage Range	:	170 - 180VAC
8	Must Operating Voltage	:	180 VAC
9	Must Switch OFF Voltage	:	165 VAC
<b>Output Parameters</b>			
1	Max. Output Current	:	100 mA DC
11	Max. Output Voltage	:	32 VDC
12	Max. Leakage Current	:	100 micro Amps
13	Max. Voltage Drop	:	1.5 VDC
<b>Specifications</b>			
14	Isolation between Input / Output	:	4 KV / 1 Min.
15	Operate Time @ Rated Voltage	:	5 msecs Max.
16	Release Time @ Rated Voltage	:	6 msecs Max.
17	Working Temperature Max.	:	60° C
18	Storage Temperature	:	- 40° C to + 85° C
19	Weight	:	28 grms Max.
20	Dimension ( L x W x H)	:	28.9 x 13 x 36.1 mm

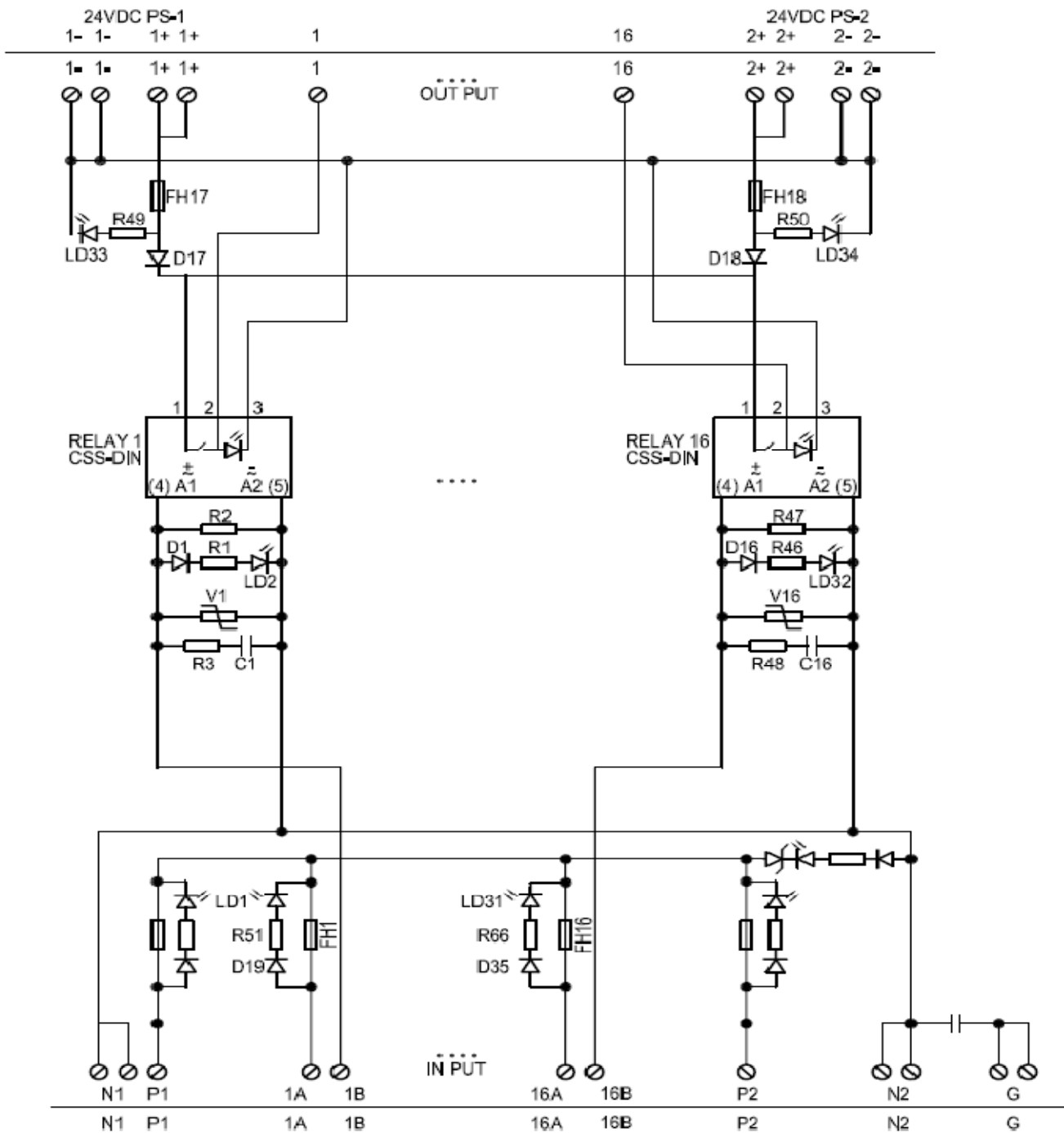
**Relay Features**

1	Industrial 4.75mm Faston terminals
2	Marking Lable (to indicate relay number etc...)

**Socket Specifications**

1	Make	:	RELECO - PARAMOUNT
2	Part No.	:	S10P
3	Nominal Load	:	10 Amps @ 250VAC
4	Maximum Switching Voltage	:	400 volts
5	Di-Electric Strength	:	5 KV
6	Terminals	:	Hard Brass Tin Plated
7	Retainer clip	:	Integrated hold down type
8	Dimensions (length x breadth x height)	:	31.0 x 14.8 x 5.20 + 13.4mm (pin+body height)
9	Touch protected	:	Yes
10	Weight	:	8 gms

**Series : PI16ISBA110VAC9D**



- 1) FIELD TO ACT LIKE SWITCH  
CONNECT TERMINALS 1A & 1B TO FIELD SWITCH.
- 2) FIELD TO SUPPLY PHASE AND NEUTRAL  
CONNECT THE PHASE FROM THE FIELD SWITCH TO 1B

- 1) FIELD TO ACT LIKE SWITCH  
CONNECT TERMINALS 16A & 16B TO FIELD SWITCH.
- 2) FIELD TO SUPPLY PHASE  
CONNECT THE PHASE FROM THE FEILD SWITCH TO 16B

Series : PI16ISBA110VAC9D

**PARAMOUNT**  
EXPECT MORE...

